

# LOTUS

## ETHANOL FIREPLACE

Commerce Technology®

### COMMERCE TECHNOLOGY®

Planika developed a uniquely safe Commerce Technology®, which is based on highly absorbent ceramic fibers. The cluster of fibers keeps the fuel inside the burner at all times, even if you accidentally tilt the fireplace.

### CLEAN FIRE WITHOUT SMOKE

Lotus is powered by bioethanol, a renewable and carbon-neutral fuel made from biomass. It provides rich flame and clean burning without any smoke.

### EFFICIENT FLAME

The burner holds up to 1.5 liters of bioethanol that gives you even 3.5 hours of rich and golden flame.

### GLASS CYLINDER

This durable glass cylinder protects the flame from any air blows, making it stable at all times.



### PORTABLE DESIGN

Lotus is a fully portable fireplace without any hard connections. It takes little space so you can freely arrange it in any space.

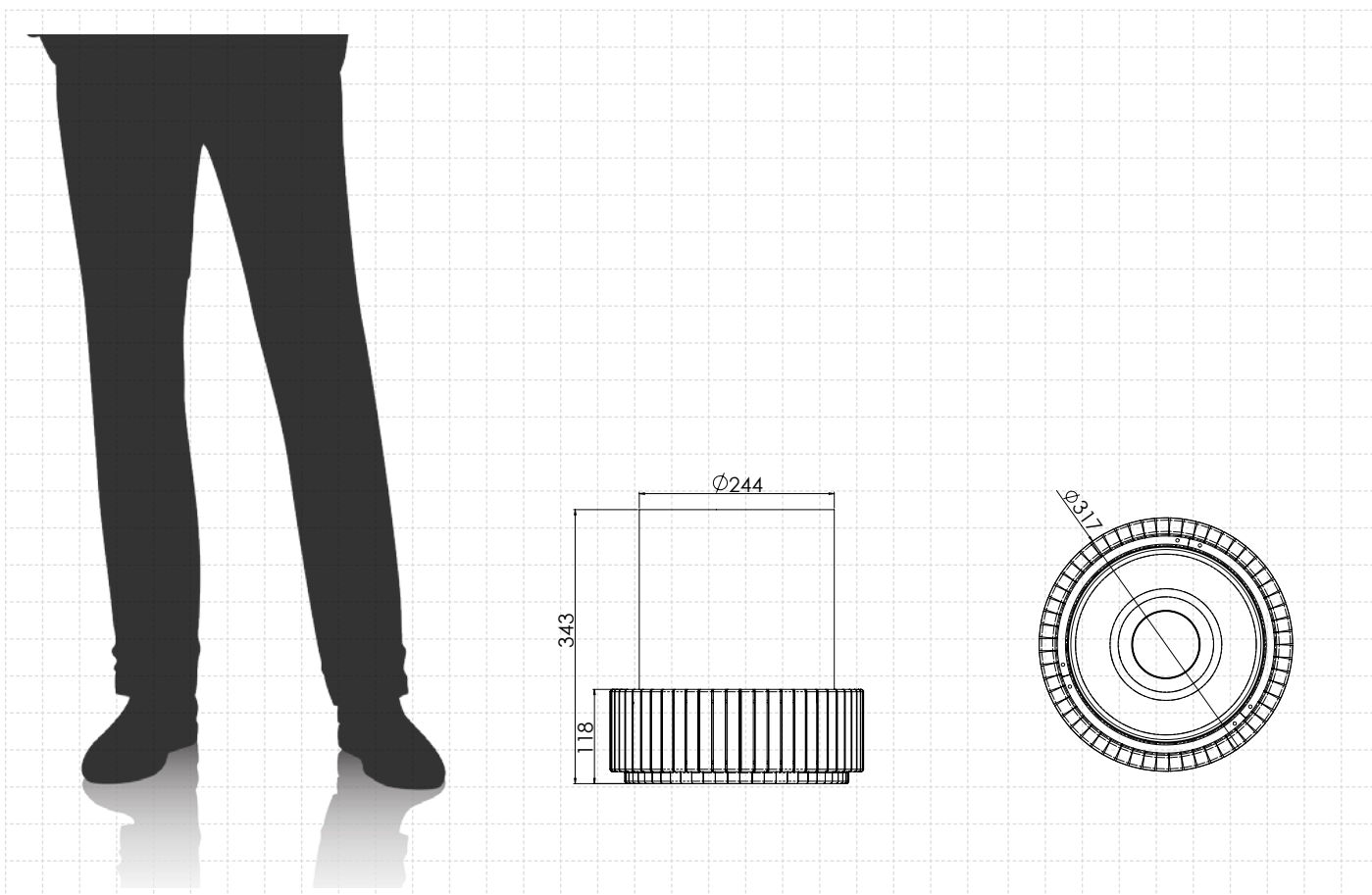
### UNIQUE DESIGN AND TOP BUILD QUALITY

With its uniquely-designed base, Lotus makes an elegant and eye-catching decoration anywhere you place it. It is built to the highest quality standards. Made of best materials and components, it is always safe and reliable.

# Lotus

(Commerce Technology®)

Fuel tank capacity	1.5 L
Maximum burn time	3.5 hours
Maximum heat output	2.5 kW
Minimum room cubature	25 m <sup>3</sup>
Weight	4.5 kg
Fuel type	bioethanol 95 - 96,6%
Flue	not required
Air change rate	1 space volume per hour (indoor)
Finish	black powder coating
Materials	steel, glass
Application	for indoor and outdoor use



All product specifications and data are subject to change without notice and are believed to be accurate as of the date hereof. Planika Sp. z o.o., its affiliates, agents, and employees, and all persons acting on its or their behalf (collectively, "Planika Sp. z o.o."), disclaim any and all liability for any errors, inaccuracies or incompleteness contained in any document or in any other disclosure relating to any product. To the maximum extent permitted by applicable law, Planika Sp. z o.o. disclaims any and all liability arising out of the application or use of any product. This document does not expand or otherwise modify Planika Sp. z o.o.'s terms and conditions of purchase, including but not limited to the warranty expressed therein. No license, express or implied, by estoppel or otherwise, to any intellectual property rights is granted by this document or by any conduct of Planika Sp. z o.o.. Customers using or selling Planika Sp. z o.o.'s products not expressly indicated for use in such applications do so entirely at their own risk and agree to fully indemnify Planika Sp. z o.o. for any damages arising or resulting from such use or sale. The images are indicative only.